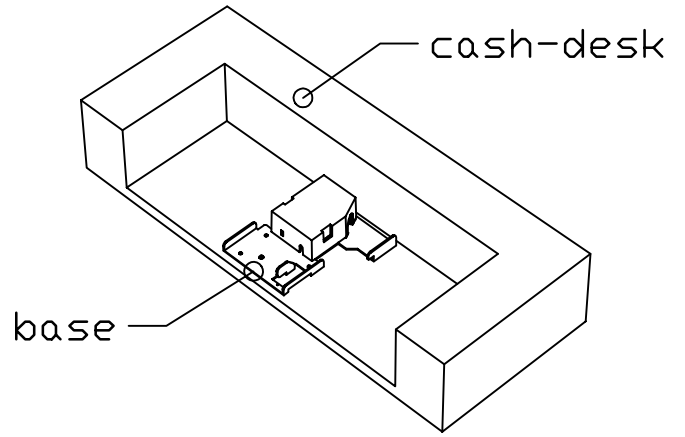
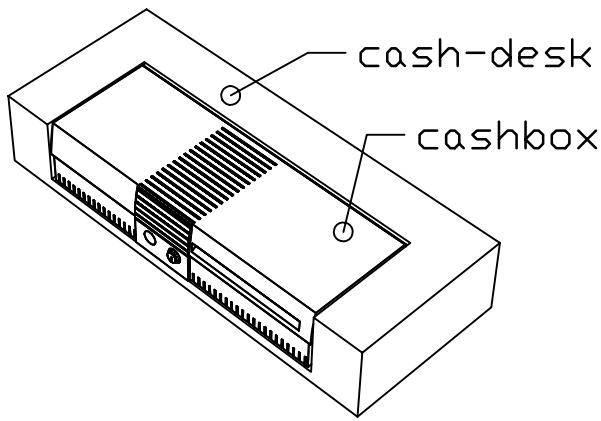
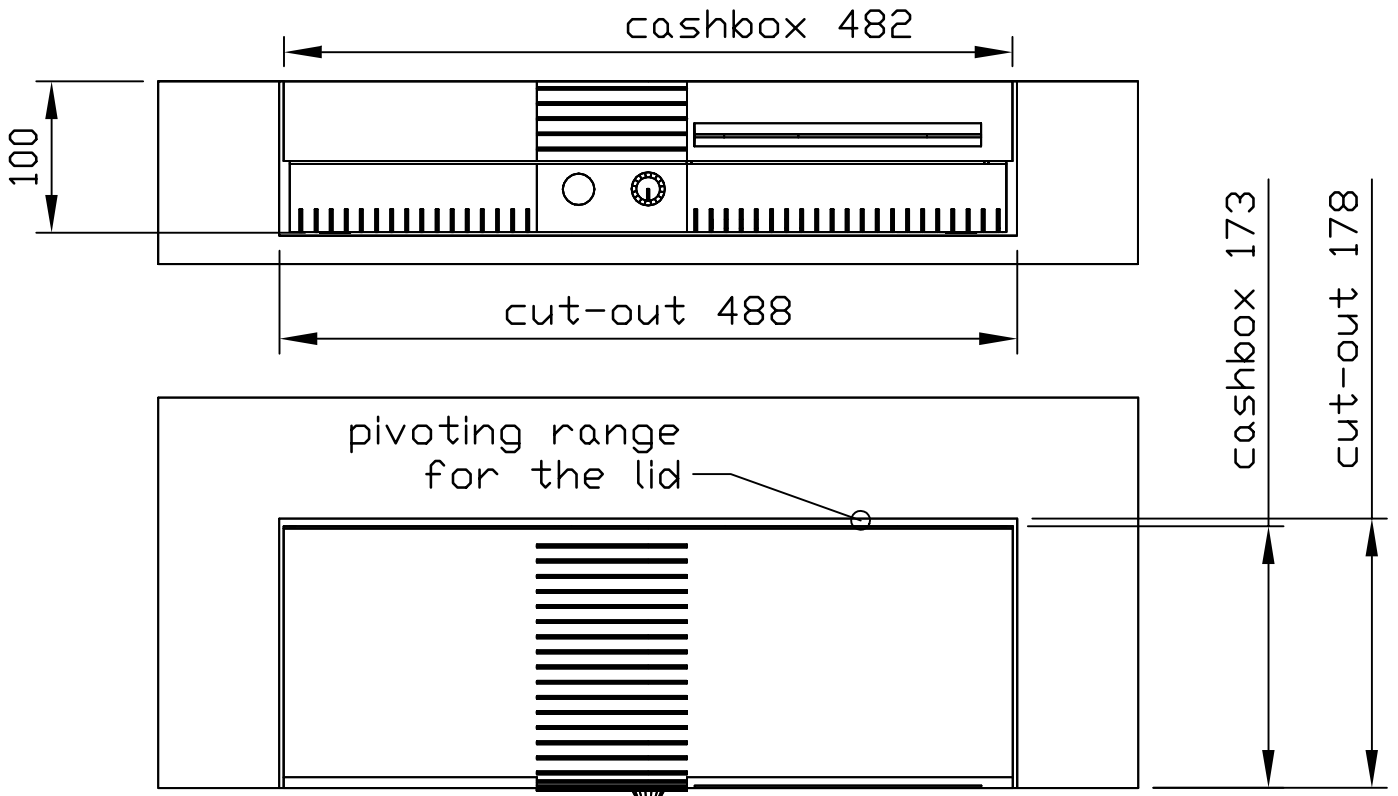


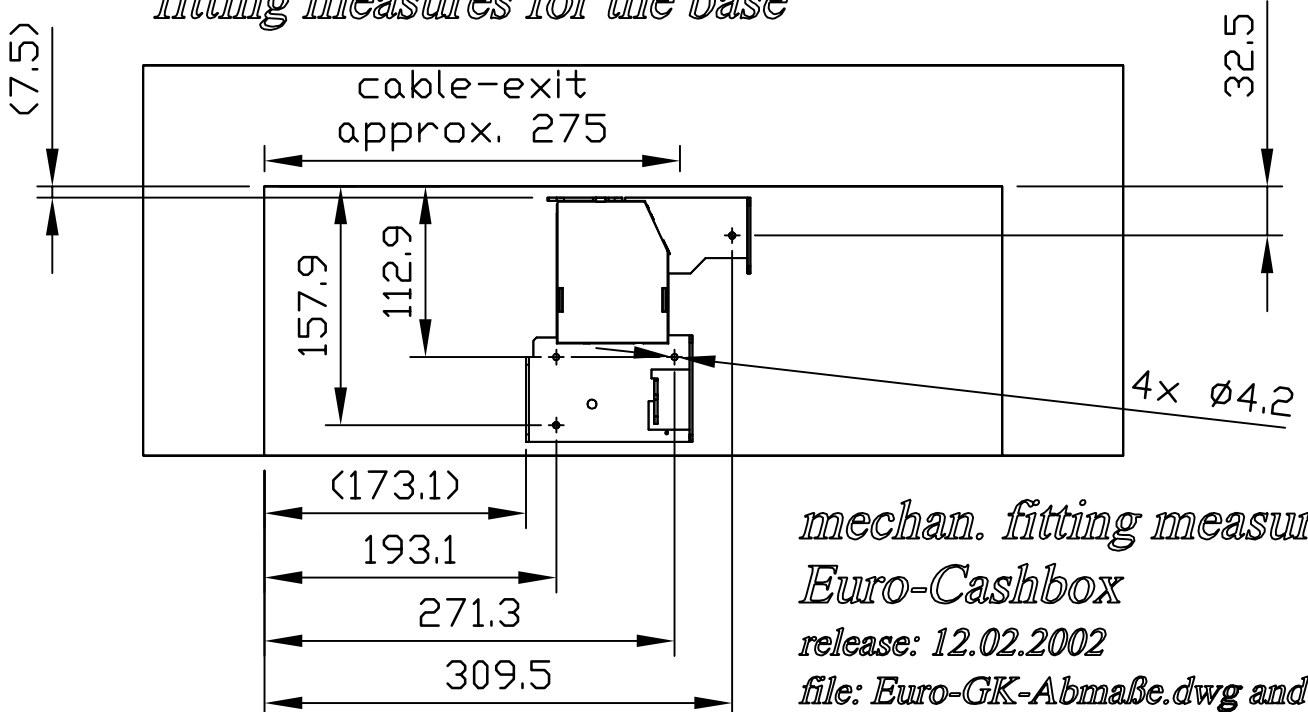
# EURO-CASHBOX



## cut-out measures



## fitting measures for the base



*mechan. fitting measures*

*Euro-Cashbox*

*release: 12.02.2002*

*file: Euro-GK-Abmaße.dwg and -.pdf*